

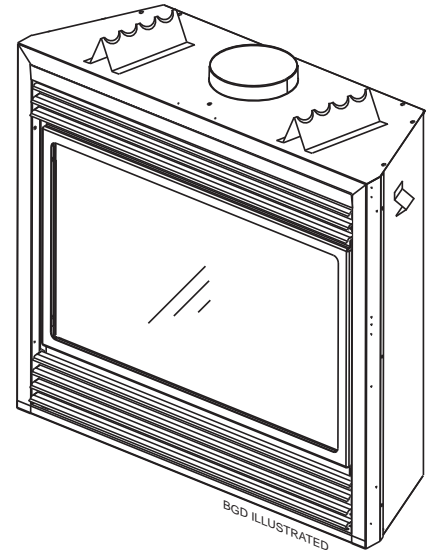


## PVA36 POWER VENT ADAPTOR KIT INSTALLATION INSTRUCTIONS



**INSTALLER: LEAVE THESE INSTRUCTIONS WITH THE APPLIANCE.  
THESE INSTRUCTIONS ARE TO BE USED IN CONJUNCTION WITH THOSE FOR THE GPV AND THE  
APPLIANCE.  
THIS INFORMATION SUPERSEDES THAT IN THE APPLIANCE INSTALLATION INSTRUCTIONS.  
CONSUMER: RETAIN THESE INSTRUCTIONS FOR FUTURE REFERENCE.**

Included in this kit:	
W500-0431	Plate, restrictor
W750-0127	Wire, 14" jumper
W750-0197	Wire harness, unit (Electrical Box)
W750-0211	Wire, thermostat
W660-0078	Switch, Double Pole



**TERMINAL INSTALLATION**  
REFER TO GPV INSTALLATION INSTRUCTIONS

**WIRING DIAGRAM AND INSTALLATION**  
REFER TO GPV INSTALLATION INSTRUCTIONS SECTIONS "SIT 820 NOVA MILLIVOLT COMPLETE WITH GPV POWER VENT TERMINAL" OR "DEXEN 6003-3V COMPLETE WITH GPV POWER VENT TERMINAL"

**VENTING INSTALLATION**  
USE ONLY WOLF STEEL APPROVED FLEXIBLE VENTING COMPONENTS.  
REFER TO THE APPLIANCE INSTALLATION INSTRUCTIONS FOR ASSEMBLY AND CLEARANCE REQUIREMENTS.

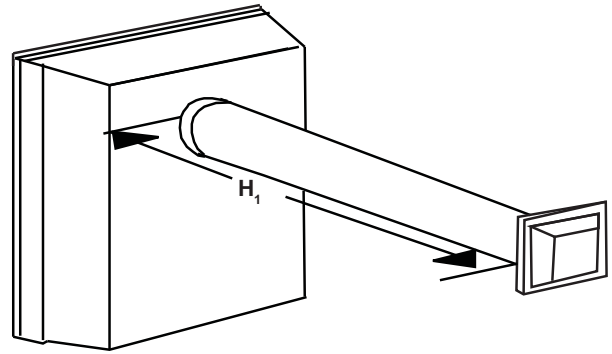
**VENT LENGTHS**  
It is recommended that the gas power vent be used with a gas appliance that is equipped with Electronic Ignition. When installing the venting, these parameters supersede the Vent Installation Section in the appliance's Installation and Operating Instructions, as well as the following guidelines:

All venting configurations apply to both top and rear vented units.

Maximum vent run is 50 feet total.

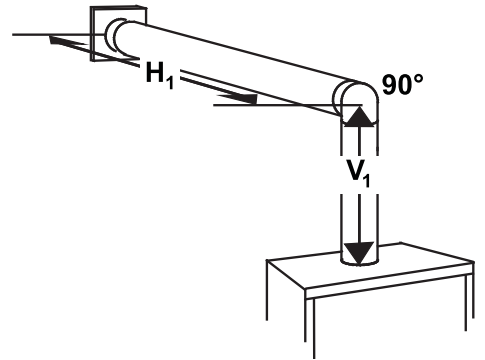
SIMPLE REAR VENT

MAX H	MIN H
50 FEET	10 FEET



SIMPLE TOP VENT

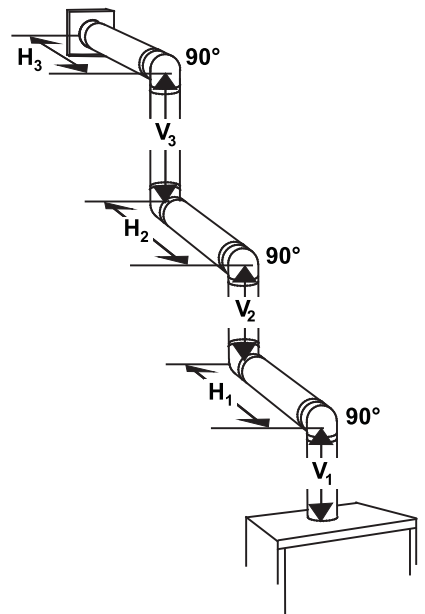
MAX H+V	MIN H+V	MAX ELBOWS
50 FEET	10 FEET	SIX 90°



MULTI ELBOW

Multi-elbow installations are possible up to a maximum of six 90°.

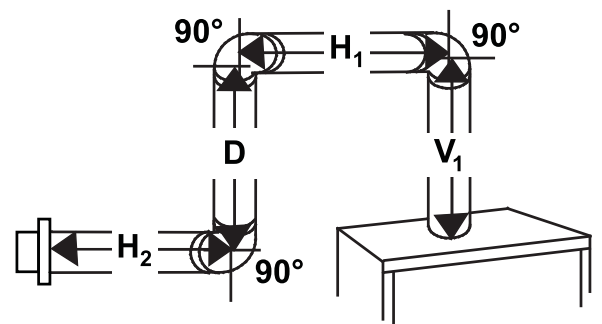
MAX V1+V2+V3+ H1+H2+H3	MIN V1+V2+V3+ H1+H2+H3	MAX ELBOWS
50 FEET	10 FEET	SIX 90°



DOWNWARD VERTICAL VENTING

Downward venting installations are only allowed when the appliances is set to Intermittent Pilot Ignition (I.P.I.) Electronic Ignition (E.I.). **If an anti-condensation switch is being used, downward vertical venting is not allowed.**

MAX H1+H2+V	MIN H1+H2+V	MAX D	MAX ELBOWS
50 FEET	10 FEET	8 FEET	SIX 90°

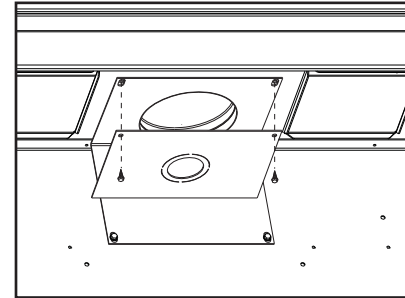
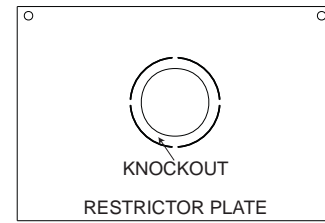


## RESTRICTOR PLATE INSTALLATION

To ensure proper appliance operation, a restrictor plate (supplied) is required for either top or rear exit venting.

**IMPORTANT!** The restrictor plate (supplied) has a knockout which must remain when used with the BGD/BCDV36. This knockout must be removed when installed in the GD/CDV36.

1. Remove all obstructing components i.e.: brick panels, logs, baffle, etc.
2. Install the restrictor plate as shown in Figure 6 over the opening.
3. Re-install all the components removed in Step 1.



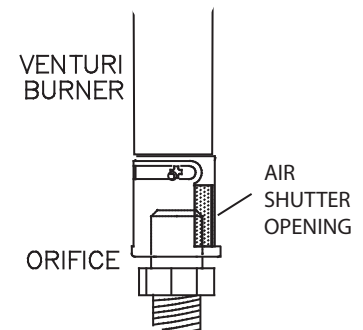
TOP VENT BGD/BCDV36 ILLUSTRATED

## VENTURI ADJUSTMENT

The factory set openings must be reset according to the chart below:

Closing the air shutter will cause a more yellow flame, but can lead to carboning. Opening the air shutter will cause a more blue flame, but can cause flame lifting from the burner ports. The flame may not appear yellow immediately; allow 15 to 30 minutes for the final flame color to be established.

**AIR SHUTTER ADJUSTMENT MUST ONLY BE DONE BY A QUALIFIED INSTALLER!**



**VENTURI ADJUSTMENT CHART**

FUEL	GD/CDV36	BGD/BCDV36(CF)(G)
NG	1/16"	0"
LP	1/4"	1/8"

Système de qualité certifié

**ISO**  
9001-2008

W415-0765 / A / 11.24.09