

INSTALLER: THESE INSTRUCTIONS MUST BE CONVEYED TO AND REMAIN WITH THE HOMEOWNER.



INSTALLATION AND OPERATION INSTRUCTIONS

CERTIFIED UNDER : ANS Z21.60 - CGA 2.26, DECORATIVE APPLIANCE FOR INSTALLATION IN SOLID-FUEL BURNING APPLIANCES



**G
A
S

L
O
G**

GL18-N
NATURAL GAS

GL18-P
PROPANE

WARNING

If the information in this manual is not followed exactly, a fire or explosion may result causing property damage, personal injury or loss of life.

- Do not store or use gasoline or other flammable vapours and liquids in the vicinity of this or any other appliance.

WHAT TO DO IF YOU SMELL GAS

- Do not try to light any appliance.
- Do not touch any electrical switch; do not use any phone in your building.
- Immediately call the gas supplier from a neighbour's phone. Follow the gas supplier's instructions.
- If you cannot reach your gas supplier, call the fire department.

- Installation and service must be performed by a qualified installer, service agency or the gas supplier.

- This appliance must be installed only in a solid-fuel burning fireplace with a working flue and constructed of noncombustible material.

GL24-N
NATURAL GAS

GL24-P
PROPANE

**G
A
S

L
O
G**



GL30-N
NATURAL GAS

GL30-P
PROPANE

**G
A
S

L
O
G**



W415-0472/B/08.03.05

TABLE OF CONTENTS

2.....TABLE OF CONTENTS	4.....OPERATING INSTRUCTIONS
2.....WARRANTY	4.....LIGHTING INSTRUCTIONS
2.....CONDITIONS AND LIMITATIONS	6.....GLOWING EMBERS
2.....GENERAL INSTRUCTIONS	6.....FINISHING
2.....MAINTENANCE & CLEANING	6.....RATING PLATE
2.....WARNING	7.....LOG PLACEMENT
2.....AIR SHUTTER	7.....LOGO PLACEMENT
2.....MINIMUM FIREPLACE SIZE	9.....REPLACEMENTS
4.....DAMPER STOP INSTALLATION	9.....REPLACEMENT PARTS
4.....ANDIRON & GRATE ASSEMBLY	9.....ACCESSORIES
4.....GAS PIPING	

PLEASE RETAIN THIS MANUAL FOR FUTURE REFERENCE

NAPOLEON products are manufactured under the strict Standard of the world recognized ISO 9001:2000 Quality Assurance Certificate. NAPOLEON products are designed with superior components and materials, assembled by trained craftsmen who take great pride in their work. Once assembled the complete log set is thoroughly inspected by a qualified technician before packaging to ensure that you, the customer, receive the quality product that you expect from NAPOLEON.

NAPOLEON GAS LOG SET LIMITED WARRANTY

The Phazer™ logs and embers in your new Napoleon gas log set are warranted against defects for as long as you own the appliance.

Electrical (millivolt) components and wearable parts such as the gas valve, thermal switch, switches, wiring, remote control, ignitor, gasketing, and pilot assembly are covered and NAPOLEON will provide replacement parts free of charge during the first year of the limited warranty.

CONDITIONS AND LIMITATIONS

NAPOLEON warrants its products against manufacturing defects to the original purchaser only -- i.e., the individual or legal entity (registered customer) whose name appears on the warranty registration card filed with NAPOLEON -- provided that the purchase was made through an authorized NAPOLEON dealer and is subject to the following conditions and limitations:

This factory warranty is nontransferable and may not be extended whatsoever by any of our representatives.

Installation must be done in accordance with the installation instructions included with the product and all local and national building and fire codes.

This limited warranty does not cover damages caused by misuse, lack of maintenance, accident, alterations, abuse or neglect and parts installed from other manufacturers will nullify this warranty.

This limited warranty further does not cover any scratches, dents, corrosion or discolouring caused by excessive heat, abrasive and chemical cleaners, mechanical breakage of PHAZER™ logs and embers.

In the first year only, this warranty extends to the repair or replacement of warranted parts which are defective in material or workmanship provided that the product has been operated in accordance with the operation instructions and under normal conditions.

Napoleon will not be responsible for installation, labour or any other expenses related to the reinstallation of a warranted part and such expenses are not covered by this warranty.

Notwithstanding any provisions contained in this Limited Warranty, NAPOLEON'S responsibility under this warranty is defined as above and it shall not in any event extend to any incidental, consequential or indirect damages.

This warranty defines the obligations and liability of NAPOLEON with respect to the NAPOLEON gas logs and any other warranties expressed or implied with respect to this product, its components or accessories are excluded.

Napoleon neither assumes, nor authorizes any third party to assume, on its behalf, any other liabilities with respect to the sale of the product.

Any damages to burner and logs or other components due to water, weather damage, long periods of dampness, condensation, damaging chemicals or cleaners will not be the responsibility of NAPOLEON.

The bill of sale or copy will be required together with a serial number and a model number when making any warranty claims from your authorized dealer. The warranty registration card must be returned within fourteen days to register the warranty.

NAPOLEON reserves the right to have its representative inspect any product or part thereof prior to honouring any warranty claim.

ALL SPECIFICATIONS AND DESIGNS ARE SUBJECT TO CHANGE WITHOUT PRIOR NOTICE DUE TO ON-GOING PRODUCT IMPROVEMENTS. NAPOLEON® IS A REGISTERED TRADEMARK OF WOLF STEEL LTD. PATENTS U.S. 5.303.693.801 - CAN. 2.073.411, 2.082.915. © WOLF STEEL LTD.

WARNING

The fireplace and gas logs function as a system. If the fireplace is not drafting properly and spilling into the room (check with a match or a smoke stick), reposition the damper clamp until a positive draft is obtained by opening the damper. If negative pressure in home prevents having a positive draft, consult an air quality specialist.

GENERAL INSTRUCTIONS

Do not use this gas log set if any part has been under water.

Call a qualified service technician to inspect the appliance before operating.

Thoroughly clean the chimney, flue and fireplace before installing this appliance into it.

Do not burn solid fuels in any fireplace that is equipped with this gas log set.

The installation of this appliance must conform with local codes or in the absence of local codes, it must conform to ANSI Z.223.1 or the CAN/CGA B149.

Do not operate appliance in the presence of gasoline or other flammable liquids and vapours. Keep area clear of other combustible materials.

Any guard or safety screen removed for servicing must be replaced before the appliance is operated.

The appliance and its shut off must be disconnected from the gas supply piping system before any pressure testing of the system is done.

Installation practices vary from region to region and it is important to know the specifics that apply to your area, for example: in Massachusetts State:

- The fireplace damper must be removed or welded in the open position prior to installation of a fireplace insert or gas log.
- The appliance off valve must be a "T" handle gas cock.
- The flexible connector must not be longer than 36 inches.
- The appliance is not approved for installation in a bedroom or bathroom unless the unit is a direct vent sealed combustion product.
- A carbon monoxide detector is required in all rooms containing gas fired appliances.
- **WARNING:** This product must be installed by a licensed plumber or gas fitter when installed within the commonwealth of Massachusetts.

**NATIONAL
FIREPLACE
INSTITUTE**



CERTIFIED
www.nficertified.org

We suggest that our gas hearth products be installed and serviced by professionals who are certified in the U.S. by the National Fireplace Institute® (NFI) as NFI Gas Specialists.

MAINTENANCE & CLEANING

Always shut off the appliance, gas to the appliance and allow the appliance to cool before servicing it.

Visually inspect the appliance for carbon buildup.

Using a small whisk or brush, brush off the excess carbon and vacuum up or sweep into the garbage.

Check the appliance for broken logs and corrosion of the main burner base.

Do not use a blower insert, heat exchanger insert or any other accessory not approved for use with this appliance.

AIR SHUTTER

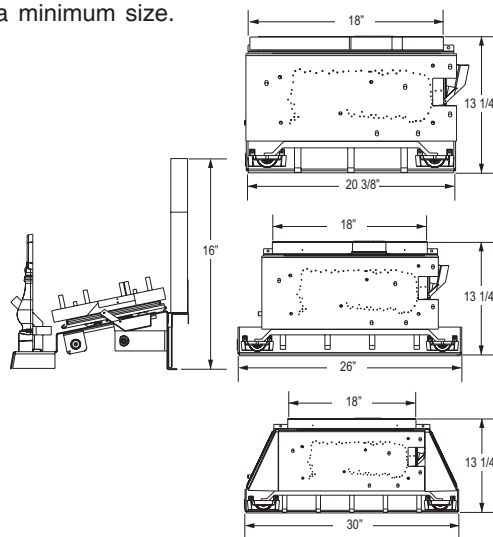
LOG SET	AIR SHUTTER	
	NG	LP
GL18	1/16"	1/4"
GL24	1/16"	5/16"
GL30	1/8"	3/8"

The air shutter settings are factory set for most installations. However, adjustment may be required depending on fuel type, vent performance and altitude.

Closing the air shutter will cause a more yellow flame, but can lead to carboning. Opening the air shutter will cause a more blue flame, but can cause flame lifting from the burner ports. The flame may not appear yellow immediately; allow 15 to 30 minutes for the final flame colour to be established.

MINIMUM FIREPLACE SIZE

Each gas log set must be installed into a fireplace cavity with a minimum size.



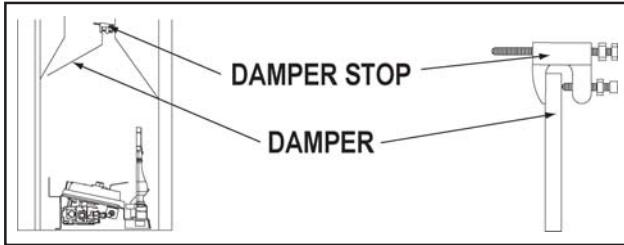
Refer to the table below to determine the appropriate minimum fireplace size.

LOG SET	HEIGHT	WIDTH FRONT	WIDTH BACK	DEPTH
18" GL18	18"	22"	19"	14"
24" GL24	18"	28"	19"	14"
30" GL30	18"	34"	19"	14"

A permanent minimum square opening must be provided, by either the fireplace chimney or the chimney damper to vent the appliance flue gases.

If the fireplace has an existing chimney damper, it must be fixed using the damper stop to prevent it from closing past the minimum opening listed in the following table.

DAMPER STOP INSTALLATION



A damper stop has been provided with the unit. The damper stop must be installed as shown to prevent full closure of the fireplace damper blade and to provide a minimum flue opening.

Should the damper stop not fit, or provide the required permanent opening from the **Minimum Damper Opening** table, have the damper cut to provide a minimum permanent opening or install an alternate stop.

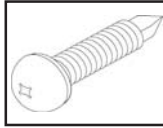
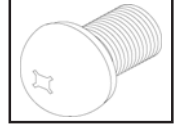
Use the 3" adjustable bolt to adjust the damper to the correct opening, based on the chart below.

If the damper stop (supplied) is not applicable the damper may be fixed open by the following method:

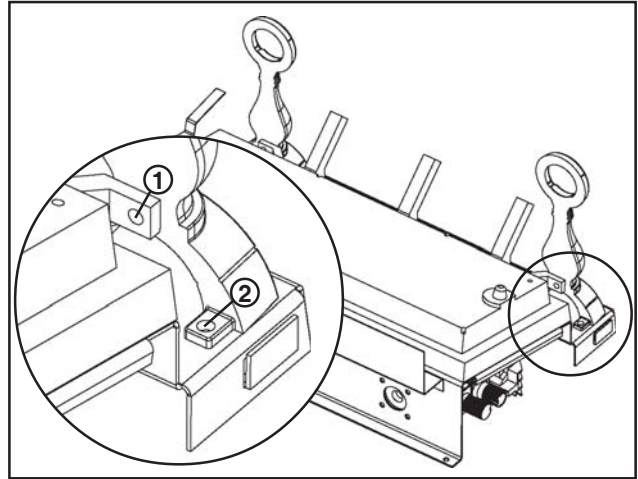
- Drill a hole in either end of the damper.
- Using a bolt of sufficient length and adjustment, with 2 nuts, secure to damper through the hole.
- Adjust to correct opening.

ANDIRON & GRATE ASSEMBLY

1. With the 2 andirons laying face down, secure the grate ovetop using 2x 1/4-20 bolts (supplied in the manual baggie).



2. Install the grate/andiron assembly to the burner base using 4x 1 1/4" self tapping screws (supplied in the manual baggie).



REMOTE INSTALLATION

- The remote has to be installed onto the bracket on the back of the log set on the right side.



- Bend tab on remote bracket straight and then using the double sided tape supplied with the remote stick the remote to the bracket.

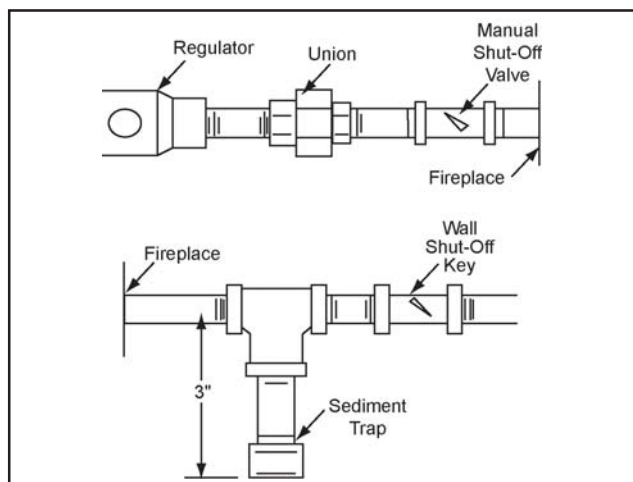


- Hook up wires from the remote to the terminals on the valve marked TH/TP and TH.

GAS PIPING

during any pressure testing of the gas supply piping system at test pressure equal to or less than ½ psi (3.5 kPa)

1. Centre the appliance in the fireplace opening, making sure the appliance has enough room behind it for the gas line to run behind the log set under the log support.
2. Route the gas line using piping ½" diameter or greater to allow the full volume of gas to the appliance. The routing of the gas line has to be done to local and / or national codes.
3. When rigid pipe is used an ANSI approved manual shut off and a union must be installed upstream within the fireplace cavity.
4. To ensure the appliance operates reliably install a sediment trap upstream of the appliance within the structures of the piping system.
5. When using propane, a regulator must be used between the tank and the outside wall of the house to ensure the line pressure does not exceed 14" w.c.
6. Check gas connections with a gas detection device to test for leaks in the system. Soapy water mixture can also be used to check for leaks.
7. Once all the gas connections are tested for leaks, start the appliance. Follow the lighting instructions to ensure the appliance is working properly before finishing.



OPERATING INSTRUCTIONS

IF THE FIREPLACE IS EQUIPPED WITH DECORATIVE GLASS DOORS, THEY MUST BE FULLY OPENED WHEN OPERATING THIS GAS LOG SET.

LIGHTING INSTRUCTIONS

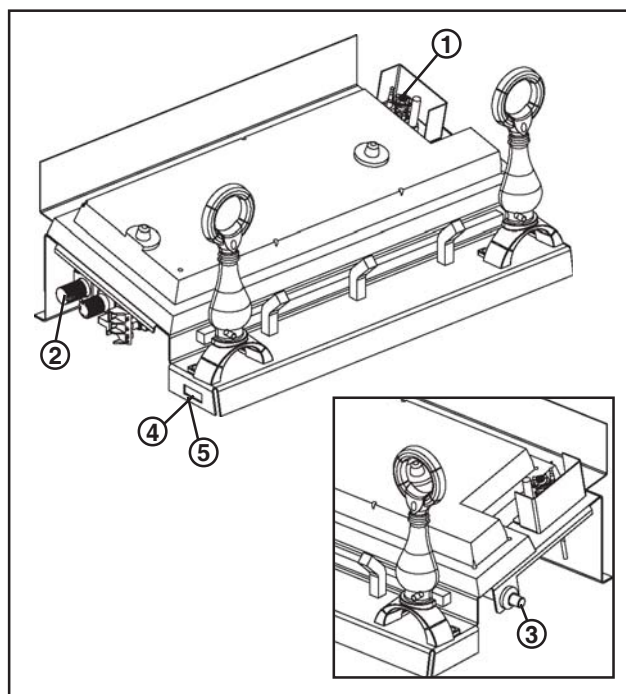
1. Locate the pilot burner at the rear of the log set on the right side.
2. Turn the gas control knob to the pilot setting (on the left side of the appliance closest to the back).
3. With the control knob depressed, push the piezo igniter repeatedly until the pilot lights.

Hold the control knob in for 1 minute and release.

If the pilot goes out, repeat steps 2 and 3.

4. Once the pilot stays burning, make certain that the on / off switch is in the off position. Turn the control knob counter-clockwise to the on position.
5. Turn the on / off switch to the on position to ignite the burner.

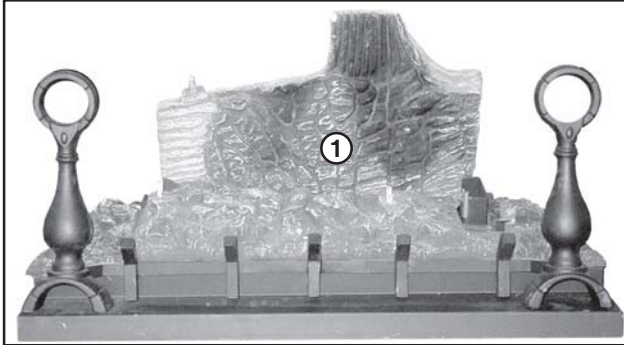
This appliance must be isolated from the gas supply piping system by closing the individual manual shut off valve



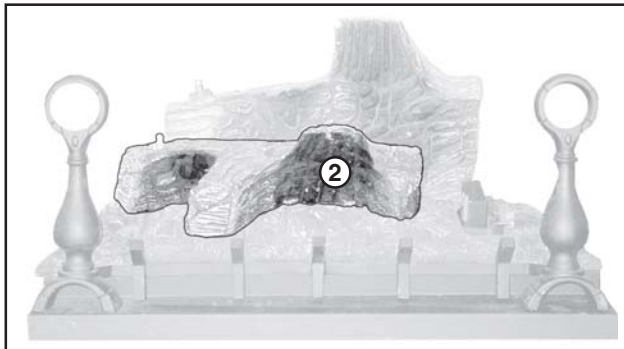
LOG PLACEMENT

PHAZER™ logs, exclusive to Napoleon Fireplaces, provide a unique and realistic glowing effect that is different in every installation. **These logs are fuel specific. Do not interchange. Refer to the replacement parts list.**

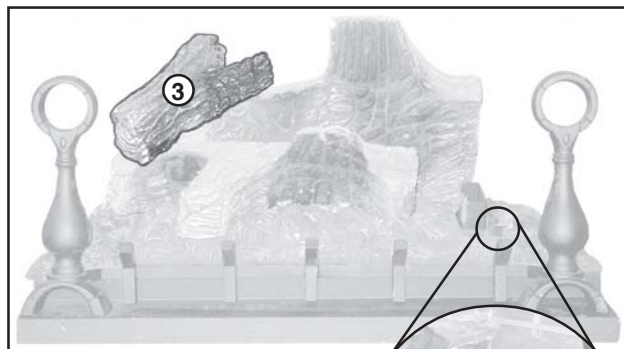
Failure to follow these log placement instructions may cause sooting.



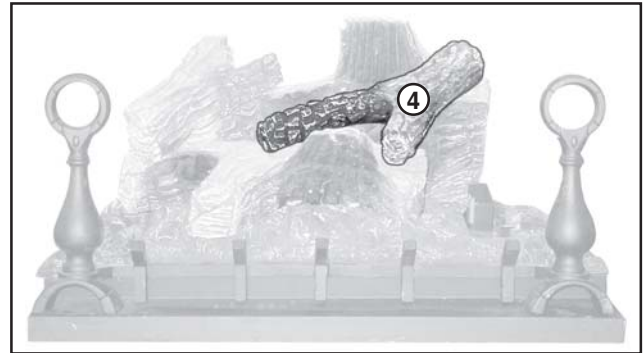
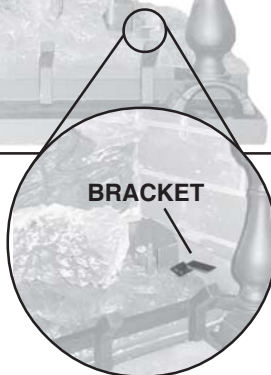
1. Place the rear log #1 onto the locating studs along the back edge of the PHAZERAMIC™ burner.



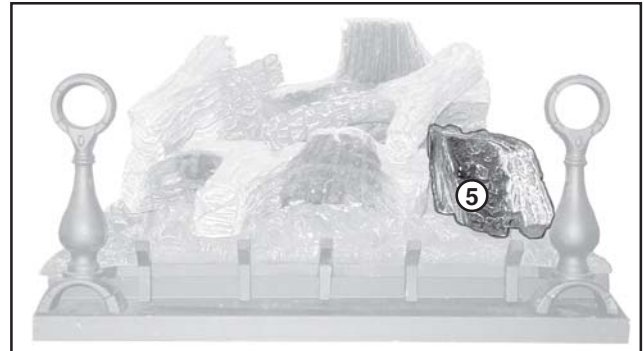
2. Position log #2 onto the locators on the PHAZERAMIC™ burner.



3. Place log #3, with the charred branch pointed inward. Locate the pins into the holes in log#1 and log#2, this will hold the rear log in position.



4. Place the end of log #4 on the right end of log #1. The fork in the log should straddle the knot on top of log #2.



5. Position the slot on the bottom of log #5 onto the bracket shown in **step#3** with the charred face of the log to the front. **Log colours may vary. During the initial use of the fireplace, the colours will become more uniform as colour pigments burn in during the heat activated curing process.**

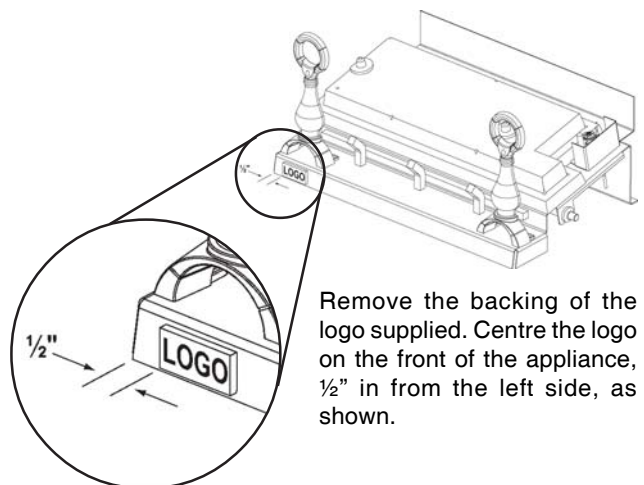
Positioning the logs improperly will cause flame impingement and carboning.

Blocked burner ports can cause an incorrect flame pattern, carbon deposits and delayed ignition. **PHAZER™** logs glow when exposed to direct flame. Use only certified **PHAZER™** logs available from your Napoleon dealer.

GLOWING EMBERS

Glowing embers (not supplied) maybe used to enhance the flame's appearance.

LOGO PLACEMENT



Remove the backing of the logo supplied. Centre the logo on the front of the appliance, 1/2" in from the left side, as shown.

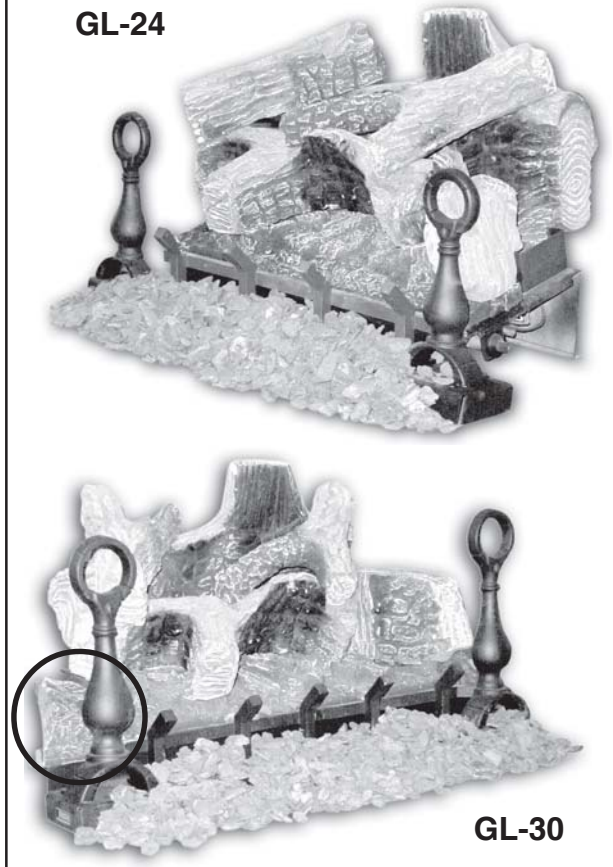
FINISHING

1. Place lava or ember rock around the base of the appliance, making sure not to block any burner ports or valve access. Retain a small amount of lava rock for step 3 and if applicable, step 4.
2. Place formed charcoal lumps around the front and sides of the unit.
3. Use remaining lava or ember rock to blend with the charcoal lumps.



GL-18

GL-24



GL-30

4. **GL-30 ONLY:** Sprinkle remaining lava rock onto the outer extension logs to hide the seam.

RATING PLATE

CERTIFIED UNDER / HOMOLOGUE SELON LES NORMES: ANSI Z21.66 - CGA 2.26-2003. DECORATIVE APPLIANCE FOR INSTALLATION IN SOLID-FUEL BURNING APPLIANCES

WARNING: IMPROPER INSTALLATION, ADJUSTMENT, ALTERATION, SERVICE OR MAINTENANCE CAN CAUSE INJURY OR PROPERTY DAMAGE. REFER TO THE OWNER'S INFORMATION MANUAL PROVIDED WITH THIS APPLIANCE. FOR ASSISTANCE OR ADDITIONAL INFORMATION, CONSULT A QUALIFIED INSTALLER, SERVICE AGENCY OR THE GAS SUPPLIER.

AVERTISSEMENT: UNE INSTALLATION NON CONFORME, DES AJUSTEMENTS, DES ALTERATIONS, UN SERVICE OU UN ENTRETIEN INADÉQUATS PEUVENT CAUSER DES DOMMAGES MATÉRIELS OU DES BLESSURES CORPORELLES. RÉFÉREZ-VOUS AU MANUEL D'INSTRUCTIONS FOURNI AVEC CET APPAREIL. POUR DE L'ASSISTANCE OU POUR PLUS D'INFORMATION, CONSULTEZ UN INSTALLATEUR QUALIFIÉ, UNE AGENCE D'ENTRETIEN OU LE FOURNISSEUR DE GAZ.

NATURAL GAS MODELS

GL18	GL24	GL30
55,000BTU/h 34,000BTU/h #61	60,000BTU/h 35,000BTU/h #61	65,000BTU/h 35,000BTU/h #62

0-4500FT (0-1370m)
3.5" WATER COLUMN/D'UNE COLONNE D'EAU
4.5" WATER COLUMN/D'UNE COLONNE D'EAU
7.0" WATER COLUMN/D'UNE COLONNE D'EAU

PROPANE MODELS

GL18-P	GL24-P	GL30-P
55,000BTU/h 45,000BTU/h #64	60,000BTU/h 50,000BTU/h #62	65,000BTU/h 50,000BTU/h #61

0-4500FT (0-1370m)
10" WATER COLUMN/D'UNE COLONNE D'EAU
11" WATER COLUMN/D'UNE COLONNE D'EAU
13" WATER COLUMN/D'UNE COLONNE D'EAU

WARNING: DO NOT ADD ANY MATERIAL TO THE APPLIANCE, WHICH WILL COME IN CONTACT WITH THE FLAMES, OTHER THAN THAT SUPPLIED BY THE MANUFACTURER WITH THE APPLIANCE. FOR INSTALLATION IN A SOLID-FUEL BURNING FIREPLACE ONLY. THE FIREPLACE CHIMNEY MUST HAVE A PERMANENT VENT OPENING TO ATMOSPHERE OF NOT LESS THAN 45.9" FOR GL18, 49.2" FOR GL24, 53" FOR GL30 OR AS DETERMINED BY THE MANUFACTURER'S INSTALLATION INSTRUCTIONS.

AVERTISSEMENT: N'AJOUTEZ AUCUN MATÉRIEL À CET APPAREIL QUI ENTRERA EN CONTACT AVEC LES FLAMMES AUTRE QUE CELUI QUI EST FOURNI AVEC CET APPAREIL, PAR LE FABRICANT. POUR L'INSTALLATION DANS UN FOYER À COMBUSTIBLE SOLIDE SEULEMENT. LA CHÈMINÉE DU FOYER DOIT POSSÉDER UNE OUVERTURE D'ÉVACUATION PERMANENTE À L'AIR EXTÉRIEUR DE NON MOINS DE 45.9" POUR LE GL18, DE 49.2" POUR LE GL24 ET DE 53" POUR LE GL30 SELON LES INSTRUCTIONS D'INSTALLATION DU FABRICANT.

FOR YOUR SAFETY: DO NOT STORE OR USE GASOLINE OR OTHER FLAMMABLE VAPOURS AND LIQUIDS IN THE VICINITY OF THIS OR ANY OTHER APPLIANCE.

POUR VOTRE SÉCURITÉ: N'ENTRÉPOSEZ PAS ET N'UTILISEZ PAS D'ESSENCE OU AUTRES LIQUIDES ET VAPEURS INFLAMMABLES À PROXIMITÉ DE CET OU TOUT AUTRE APPAREIL.

UNIT / APPAREIL	HEIGHT / HAUTEUR	WIDTH / LARGEUR	DEPTH / PROFONDEUR
GL18	18"	22"	14"
GL24	20"	28"	16"
GL30	22"	34"	20"

MADE IN CANADA / FABRIQUÉ AU CANADA
WOLF STEEL LTD. BARRIE, ONTARIO CANADA
SERIAL NUMBER/NO. DE SÉRIE: GL

THE RATING PLATE IS CHAINED TO THE PIEZO IGNITOR BRACKET AND IS COMMONLY TUCKED UNDER THE ENTIRE ASSEMBLY.

OPERATING INSTRUCTIONS FOR YOUR SAFETY READ BEFORE OPERATING

AVERTISSEMENT: IF YOU DO NOT FOLLOW THESE INSTRUCTIONS EXACTLY, FIRE OR EXPLOSION MAY RESULT CAUSING PROPERTY DAMAGE, PERSONAL INJURY OR LOSS OF LIFE. DO NOT CONNECT VALVE OR WALL SWITCH TO ELECTRICITY. SEE INSTALLATION INSTRUCTIONS.

A. THIS FIREPLACE IS EQUIPPED WITH A PILOT WHICH MUST BE LIT BY HAND WHILE FOLLOWING THESE INSTRUCTIONS EXACTLY.

B. BEFORE OPERATING SMELL ALL AROUND THE FIREPLACE AREA FOR GAS AND NEXT TO THE FLOOR BECAUSE SOME GAS IS HEAVIER THAN AIR AND WILL SETTLE ON THE FLOOR.

WHAT TO DO IF YOU SMELL GAS:

- DO NOT TOUCH ANY ELECTRIC SWITCH
- DO NOT USE ANY PHONE IN YOUR BUILDING
- IMMEDIATELY CALL YOUR GAS SUPPLIER FROM A NEIGHBOUR'S PHONE. FOLLOW THE GAS SUPPLIER'S INSTRUCTIONS.
- IF THE KNOB WILL NOT TURN BY HAND, DO NOT TRY TO REPAIR. IT CALL A QUALIFIED SERVICE TECHNICIAN.
- DO NOT USE THIS FIREPLACE IF ANY PART HAS BEEN UNDER WATER. IMMEDIATELY CALL A QUALIFIED SERVICE TECHNICIAN TO INSPECT THE FIREPLACE AND REPLACE ANY PART OF THE CONTROL SYSTEM AND GAS CONTROL, WHICH HAS BEEN UNDER WATER.

TURN OFF ALL GAS TO THE FIREPLACE
DO NOT TRY TO LIGHT ANY APPLIANCE
IF YOU CANNOT REACH YOUR GAS SUPPLIER, CALL THE FIRE DEPARTMENT

ATTENTION: SI VOUS NE SUIVEZ PAS CES INSTRUCTIONS À LA LETTRE, UN FEU OU UNE EXPLOSION POURRAIENT SE PRODUIRE CAUSANT DES DOMMAGES MATÉRIELS, DES BLESSURES CORPORELLES OU DES PERTES DE VIE. NE RACCORDEZ PAS LA SOUPAPE OÙ L'INTERRUPTEUR MURAL À L'ALIMENTATION ÉLECTRIQUE. CONSULTEZ LES INSTRUCTIONS D'INSTALLATION.

A. CET APPAREIL EST MUNI D'UNE VELLEUSE QUI DOIT ÊTRE ALLUMÉE MANUELLEMENT TOUT EN SUIVANT CES INSTRUCTIONS À LA LETTRE.

B. AVANT D'ALLUMER, SENTEZ AUTOUR DE L'APPAREIL, ET PRÈS DU PLANCHER AFIN DE VOUS ASSURER QU'IL N'Y A PAS DE FUITE DE GAZ. CERTAINS GAZ SONT PLUS LOURDS QUE L'AIR ET SE DÉPOSERONT AU NIVEAU DU PLANCHER.

QUE FAIRE SI VOUS DÉTECTEZ UNE OUEUR DE GAZ:

- NE TOUCHEZ À AUCUN INTERRUPTEUR ÉLECTRIQUE
- N'UTILISEZ AUCUN TÉLÉPHONE DANS VOTRE IMMEUBLE
- APPELEZ IMMÉDIATEMENT VOTRE FOURNISSEUR DE GAZ D'UN TÉLÉPHONE VOISIN. SUIVEZ SES INSTRUCTIONS.
- COUPEZ L'ALIMENTATION DE GAZ À L'APPAREIL
- N'ALLUMEZ AUCUN APPAREIL
- SI VOUS NE POUVEZ PAS REJOINDRE VOTRE FOURNISSEUR DE GAZ, APPELEZ LE SERVICE DES INCENDIES

C. N'UTILISEZ QUE VOTRE MAIN POUR TOURNER LE BOUTON DE CONTRÔLE DU GAZ / LE BOUTON MANUEL D'ARRÊT. N'UTILISEZ AMARRS DOUTILS. SI LE BOUTON NE TOURNE PAS MANUELLEMENT, NE SAISIEZ PAS DE LE RÉPARER. APPELÉZ UN TECHNICIEN DE SERVICE QUALIFIÉ. FORCER LE BOUTON OU TENTER DE RÉPARER LE MÉCANISME POURRAIT CAUSER UN FEU OU UNE EXPLOSION.

D. NE PAS UTILISER CET APPAREIL SI UNE PARTIE QUELCONQUE A ÉTÉ SUBMERGÉE. CONTACTEZ IMMÉDIATEMENT UN TECHNICIEN DE SERVICE QUALIFIÉ POUR INSPECTER L'APPAREIL, ET REMPLACER TOUTE COMPAGNE DU SYSTÈME DE CONTRÔLE ET DU CONTRÔLE DU GAZ/OU MARRAT ÉTÉ SUBMERGÉE.

REPLACEMENTS

Contact your dealer for questions concerning prices and availability of replacement parts. Normally all parts can be ordered through your Napoleon dealer or distributor.

When ordering replacement parts always give the following information:

FOR WARRANTY REPLACEMENT PARTS, A PHOTOCOPY OF THE ORIGINAL INVOICE WILL BE REQUIRED TO HONOUR THE CLAIM.

1. MODEL & SERIAL NUMBER OF FIREPLACE
2. INSTALLATION DATE OF FIREPLACE
3. PART NUMBER
4. DESCRIPTION OF PART
5. FINISH

*** IDENTIFIES ITEMS WHICH ARE NOT ILLUSTRATED. FOR FURTHER INFORMATION, CONTACT YOUR NAPOLEON DEALER.**

REPLACEMENT PARTS

#	Part #	Description	#	Part #	Description
1	W135-0239	#1 - REAR LOG	12	W660-0023	ON / OFF SWITCH
2	W135-0240	#2 - MIDDLE LOG - NG	13	W725-0025	VALVE - NG
2	W135-0244	#2 - MIDDLE LOG - LP	13	W725-0043	VALVE - LP
3	W135-0241	#3 - RIGHT LOG	14*	W385-0245	NAPOLEON LOGO
4	W135-0242	#4 - LEFT LOG	15	W010-1194	PILOT ASSEMBLY - NATURAL GAS
5	W135-0243	#5 - CROSSOVER LOG	15	W010-1201	PILOT ASSEMBLY - PROPANE
6	GL-649	LOG SET - NATURAL GAS	16	W455-0070	PILOT INJECTOR - NATURAL GAS
6	GL-650	LOG SET - PROPANE	16	W455-0068	PILOT INJECTOR - PROPANE
7*	W135-0251	GL30 RIGHT EXTENSION LOG	17	W680-0015	THERMOPILE
7*	W135-0252	GL30 LEFT EXTENSION LOG	18	W680-0014	THERMOCOUPLE
8	W185-0024	GL18 GRATE	19	W240-0005	ELECTRODE W/ LEAD
8	W185-0020	GL24 GRATE	20	W010-1260	GL18 - BURNER ASSEMBLY
8	W185-0023	GL30 GRATE	21	W010-1261	GL24 - BURNER ASSEMBLY
9	W715-0628	GL18 / 24 ANDIRONS	22	W010-1262	GL30 - BURNER ASSEMBLY
9	W715-0629	GL30 ANDIRONS	23*	W550-0006	LAVA ROCK
10	W357-0001	PIEZO IGNITOR AND NUT	24*	W550-0002	CHARCOAL LUMPS
11	W455-0083	GL18 - #25 ORIFICE - NG	25	W010-1288	DAMPER STOP
11	W455-0001	GL18 - #44 ORIFICE - LP	ACCESSORIES		
11	W455-0082	GL24 - #24 ORIFICE - NG	#	Part #	Description
11	W455-0017	GL24 - #42 ORIFICE - LP	26*	W660-0010	REMOTE CONTROL - ADVANTAGE
11	W455-0081	GL30 - #22 ORIFICE - NG	26*	W660-0011	REMOTE CONTROL - ADVANTAGE PLUS
11	W455-0040	GL30 - #41 ORIFICE - LP	27*	W361-0016	Glowing Embers

